

BLADE ANTENNA**P/N: 60740**

AMT blade antenna is a high performance airborne antenna designed for use on supersonic platforms, operating under extreme environmental conditions. The antenna exhibits omnidirectional coverage in the azimuth plane with a filled-in null in the elevation plane. Radiation patterns are also a function of the platform's shape and size since the platform serves as the ground plane for the antenna.

Special Design Features:

- Antenna can be designed for dual band operation.
- When continuous coverage around the circumference of the vehicle is required, more blade antennas can be arrayed through the use of a power divider/combiner.

**Typical Specifications:**

Freq. of operation: 2.2 - 2.4 GHz

Impedance: 50 ohm

V.S.W.R.: 1.7:1 max

Gain: +3dbi typical

Polarization: Vertical

Radiation coverage AZ: Omni directional - 360°

Radiation coverage EL: 50-60° - similar to a
quartewave monopole on G.P.

Power handling: 40 W, CW

Connector: SMA female

Dimensions: 1.18"H x 3.00"L x 14W
(base plate)

Weight: 1.0oz. max.

Base plate-mounting: 2 screws #4 or M3

Temperature: -60°C - +200°C continous,
400° - 30sec. transient

Altitude: 40.000ft.

Weight	Height	Power C.W. max	V.S.W.R. max.	Frequency Range (GHz.)	Antenna Type
1oz. (28 g)	1.55" (40 mm)	60 W	1.7 : 1	1.43 - 1.54	60740-01
1oz. (28 g)	1.55" (40 mm)	60 W	1.7 : 1	1.60 - 1.75	60740-02
1oz. (28 g)	1.55" (40 mm)	50 W	1.7 : 1	1.71 - 1.85	60740-03
0.8oz. (23 g)	1.2" (30 mm)	40 W	1.7 : 1	2.20 - 2.40	60740-04
0.8oz. (23 g)	1.2" (30 mm)	40 W	1.5 : 1	2.40 - 2.60	60740-05
0.7oz. (20 g)	08" (20 mm)	30 W	1.5 : 1	4.40 - 5.00	60740-06
0.7oz. (20 g)	08" (20 mm)	30 W	1.5 : 1	5.40 - 5.90	60740-07

AMT PROPRIETARY INFORMATION

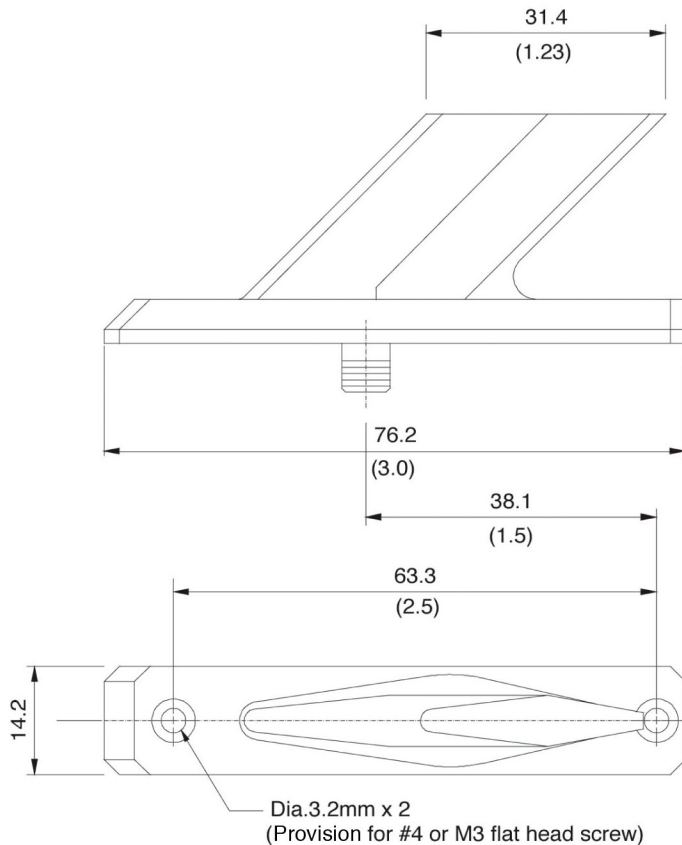
REVISION HISTORY			
REV	DESCRIPTION	DATE	APPROVED
A	DESIGN RELEASE	5/8/04	S.H.

D

C

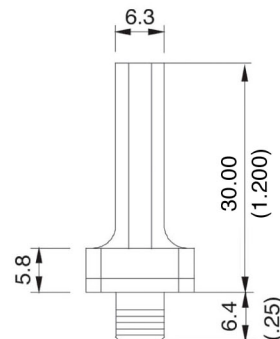
B

A



Aluminium base plate

S.M.A. Female



ANTENNA DIMENSIONS ARE IN MM (INCHES)
General tolerance: +/-0.2mm.

INTERFACE CONTROL DRAWING

NOTES: UNLESS OTHERWISE SPECIFIED.

1. FREQUENCY: 2.2 - 2.4 GHz
2. WEIGHT: 28 GRAMS.
3. POLARIZATION: VERTICAL.
4. VSWR: 1.5 : 1.

PREPARED BY	DATE
SONBJ	5/26/2004
APPROVED BY	DATE
SH	6/8/2004



AMT MICROWAVE CORPORATION
CAMARILLO CA 93012

UNLESS OTHERWISE NOTED
DIM AND TOL PER ANSI Y14.5
MACH 125 V PER ANSI B461
REMOVE BURRS AND SHARP
EDGES .010 MAX
TOL: .XX±.030 .XXX±.005
ANGLE±1°

TITLE
BLADE ANTENNA

SIZE	CAGE CODE	DWG NO	REV
A	6AB36	60740-04	A
MATERIALS: PLEASE SEE NOTES		SCALE: NTS	WT.
		SHEET 1 OF 1	

4

3

2

1