

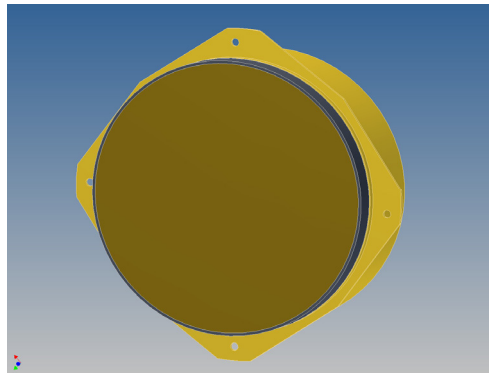


HIGH PERFORMANCE
ANTENNAS

PRODUCT DATA 21540-01

SPIRAL ANTENNA, 0.5 - 2.0 GHz
P/N: 21540-01

Frequency - GHz	0.5 - 2.0	
Polarization	LHC	
Gain - dBiL	-7.0	@ 0.5 GHz, on Boresight
	2.5	@ 1.25 GHz, on Boresight
	3.0	@ 2.0 GHz, on Boresight
Axial Ratio - dB	1.5	Maximum, on Boresight
	3.0	Maximum, @ -3 dB points
Beamwidth - Deg	60 - 110	Typical 70 - 95
Beam Squint - Deg	< 5.0	For 90 % of Frequencies
	< 8.0	For 100% of Frequencies
VSWR	2.0 : 1	Maximum
Gain Tracking - dB (set of 6, peak to peak)	1.0	Maximum, on Boresight
	2.0	Maximum, @ 30°
	3.0	Maximum, @ 60°
Power - Watts	2 / 20	CW / Peak
Connector	SMA	Female
Weight - Grams	750	Maximum
Environment	Flight	To 50,000 Feet



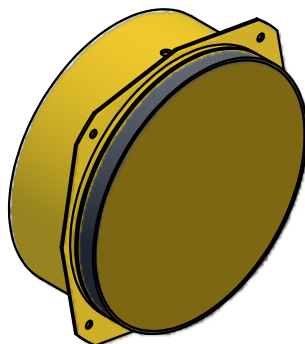
AMT MICROWAVE CORPORATION
850 CALLE PLANO CAMARILLO CA 93012
(T) 805-384-1560 (F) 805-384-1563

AMT PROPRIETARY INFORMATION

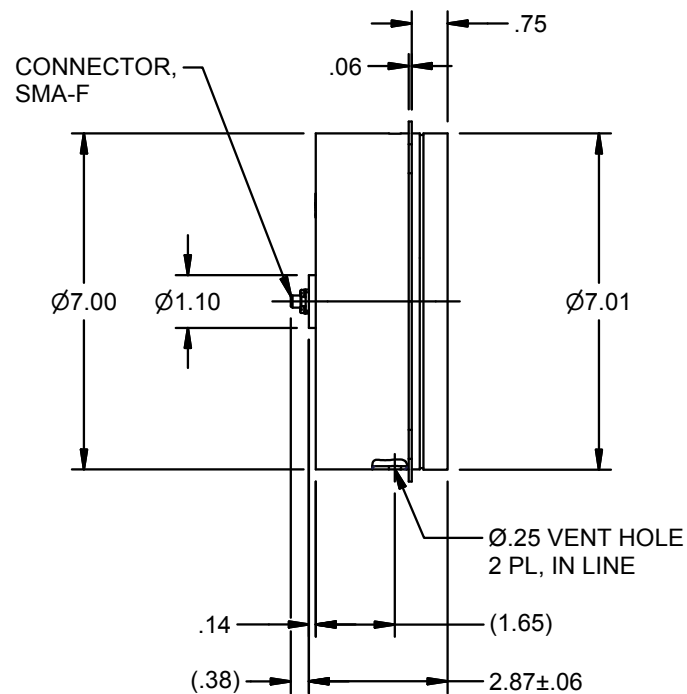
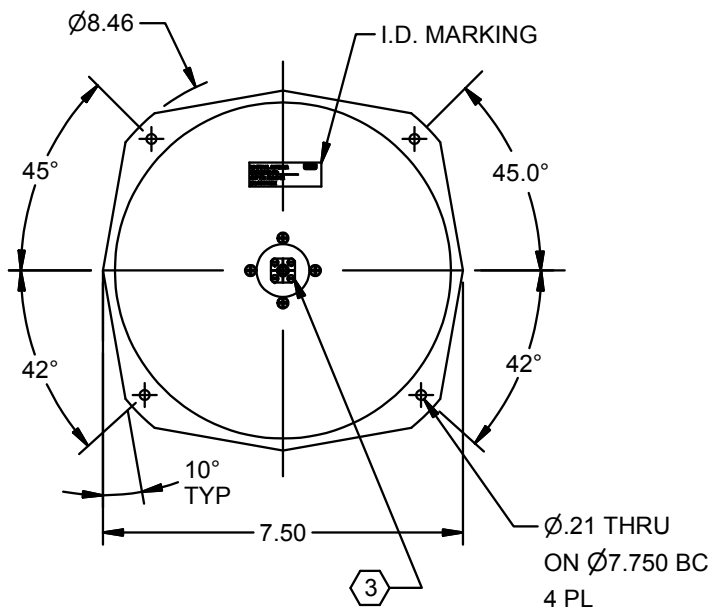
REVISION HISTORY

REV	DESCRIPTION	DATE	APPROVED
A	DESIGN RELEASE	6/23/2003	S.H.

LB SPIRAL ANTENNA
CUSTOMER PN: _____
AMT PN: 21540-01
SN: MMYXXX



I.D. MARKING DETAIL



INTERFACE CONTROL DRAWING

PREPARED BY SONBJ	DATE 6/16/2003
APPROVED BY SH	DATE 6/19/2003
UNLESS OTHERWISE NOTED DIM AND TOL PER ANSI Y14.5 MACH 125 ✓ PER ANSI B461 REMOVE BURRS AND SHARP EDGES .010 MAX TOL: .XX±.010 .XXX±.005 ANGLE±1°	



AMT MICROWAVE CORPORATION
 CAMARILLO CA 93012

TITLE
LB SPIRAL ANTENNA
 0.5 - 2.0 GHz

SIZE A	CAGE CODE 6AB36	DWG NO 21540-01	REV A
-----------	--------------------	--------------------	----------

MATERIALS: PLEASE SEE NOTES SCALE: NTS WT. SHEET 1 OF 1

- POLARIZATION IS LHC.
- WEIGHT: 650 GRAMS.
- AXIAL ORIENTATION OF CONNECTOR IS FOR REFERENCE ONLY.
- FINISH: METAL (ALUMINUM): CHEM FILM PER MIL-C-5541.

NOTES: UNLESS OTHERWISE SPECIFIED.