



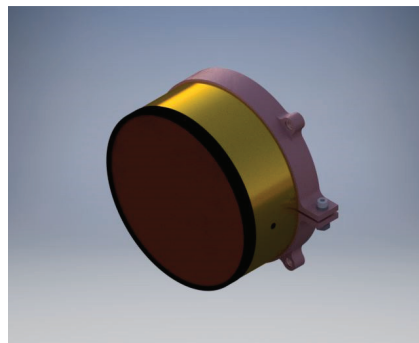
HIGH PERFORMANCE
ANTENNAS AND RADOMES

PRODUCT DATA

40280-05

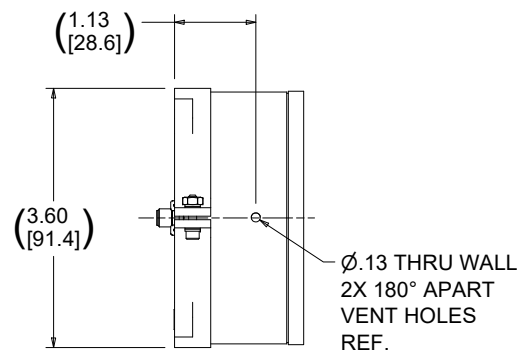
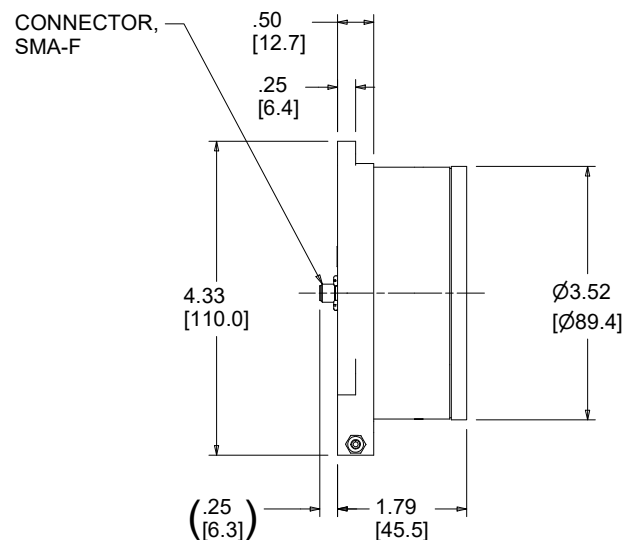
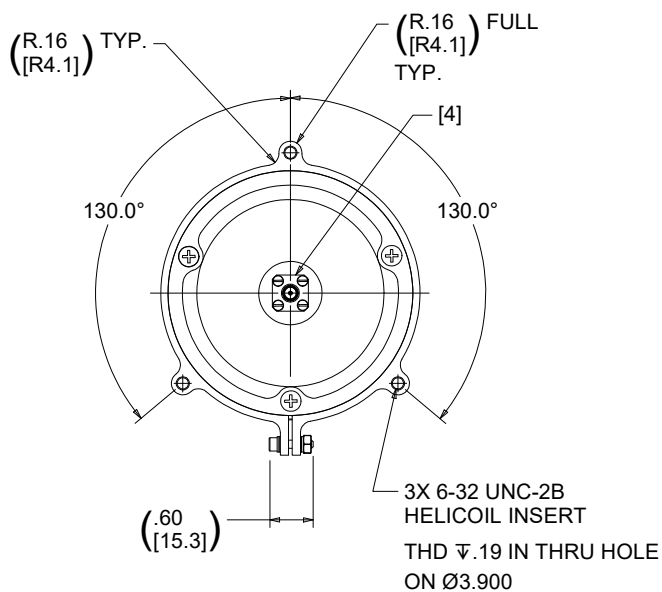
SPIRAL ANTENNA, 1-5 GHz
P/N: 40280-05

Frequency - GHz	1.0 - 5.0	
Polarization	LHC	
Gain - dBiC	-5 @ 1 GHz +5 @ 5 GHz	Minimum, on Boresight
Axial Ratio - dB	7 @ ≤1.2 GHz 1 @ >1.2 GHz	Maximum, on Boresight
	9 @ ≤1.2 GHz 2 @ >1.2 GHz	Maximum, @ ±45°
Beamwidth - Deg	60 to 100	-3dB points
Beam Squint - Deg	6.0	Maximum
VSWR	2.5 : 1	Maximum
Gain Tracking - dB	< 2 (Set of 3)	Unit to unit, within ±45°
Phase Tracking - DEG Set of 3	< 4 on Boresight < 8 @ ±45°	Unit to unit, monotonically rising from boresight to 45°.
Front to Back ratio - dB	15	
Power - Watts	2 / 20	CW / Peak
Connector	SMA	Female
Impedance - Ohm	50	
Weight - Grams	240	Maximum
Environment	Flight	To 50,000 Feet
Temperature - Deg-C	-20 to 85 Operating -55 to 95 Non-Operating	Thermal Shock IAW Mil-Std-810F, Method 503.4
Humidity - % RH	95	Mil-Std-810F, Method 507.4, 5 Cycles
Salt-Fog		Mil-Std-810F, Method 509.4
Fungus		Mil-Std-810F, Method 508.5
Explosive Atmosphere		Mil-Std-810F, Method 511.4, Procedure I
Mechanical Shock		Mil-Std-810F, Method 516.5, Procedure I
Random Vibration - Grms	4.88 Endurance 4.10 Functional	20 to 2,000 Hz
Acceleration - G	7	10 Minutes



AMT MICROWAVE CORPORATION
850 CALLE PLANO CAMARILLO CA 93012
(T) 805-384-1560 (F) 805-384-1563

REV	DESCRIPTION	DATE	APPROVED
A	DESIGN RELEASE	2/9/2017	S.H.



NOTES: UNLESS OTHERWISE SPECIFIED.

1. POLARIZATION: LHCP
2. WEIGHT: 240 GRAMS MAXIMUM.
3. FINISH: ALUMINUM PARTS: CHEMICAL CONVERSION PER MIL-DTL-5541F CLASS 3, TYPE 1.
4. ORIENTATION OF CONNECTOR FLANGE FOR REF ONLY.



INTERFACE CONTROL DRAWING (ICD)

PREPARED BY SONBJ	DATE 2/6/2017	AMT AMT MICROWAVE CORPORATION CAMARILLO CA 93012
APPROVED BY SH	DATE 2/9/2017	
UNLESS OTHERWISE NOTED DIM AND TOL PER ANSI Y14.5 MACH 125 ✓ PER ANSI B461 REMOVE BURRS AND SHARP EDGES .010 MAX TOL: .XX±.030 .XXX±.005 ANGLE±1°		TITLE SPIRAL ANTENNA, 1-5 GHz
SIZE A	CAGE CODE 6AB36	DWG NO 40280-05
MATERIALS: PLEASE SEE NOTES		REV A
SCALE: NTS		SHEET 1 OF 1